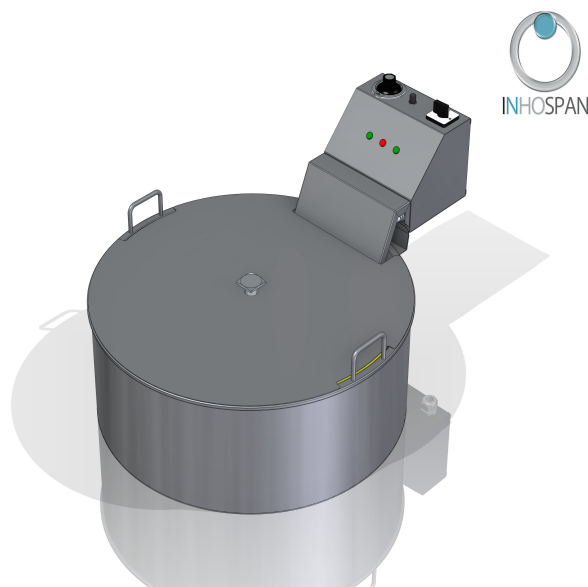


DATA SHEET

ELECTRIC COUNTERTOP FRYER FE60-A

Automatic temperature control, designed for light and delicate products that should not come into contact during frying.



FE60-A

TECHNICAL SPECIFICATIONS:

- Suitable for both indoor and outdoor use.
- Body made of AISI304 18/10 stainless steel.
- Removable lid and electric heater made of AISI304 18/10 stainless steel integrated into the body.
- Safety thermostat set at 230°C.
- Built in accordance with CE regulations.
- Recommended maximum operating temperature of 200°C.
- Oil level indicator marked with minimum and maximum levels.
- Voltage: 230 V II or 400 V II, depending on the model.

OPCIONAL:

- Power of 5000W, 10000W, or 15000W depending on the model.

MODEL: FE60-A

DIMENSIONS: LENGT/ 620mm. / WIDTH 850mm. / HIGH 400 mm.

POWER: 5000W.

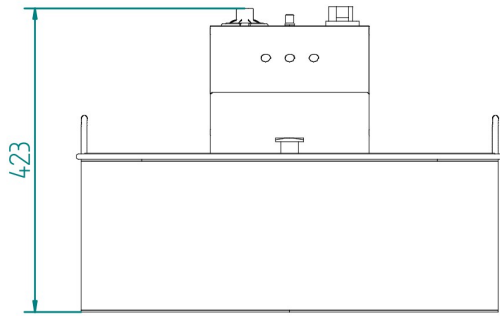
TOP DIAMETER: Ø600mm.

CONTAINER HEIGHT: 160mm.

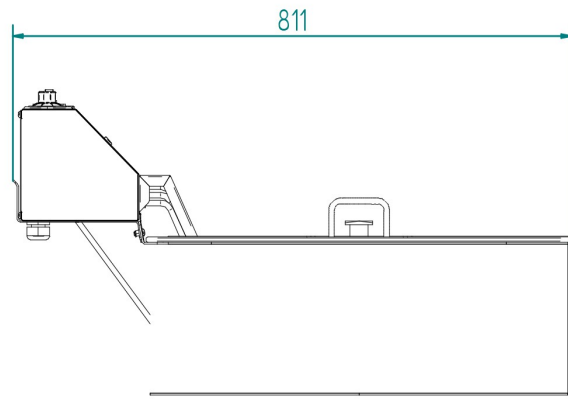
CAPACITY: 18 L.

VOLTAJE: 220V

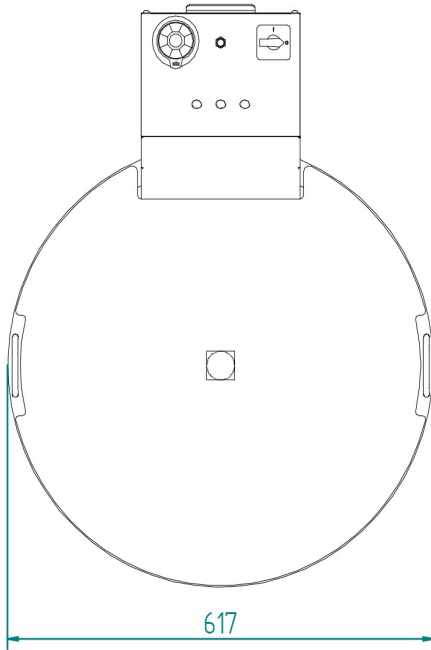
DIMENSIONS



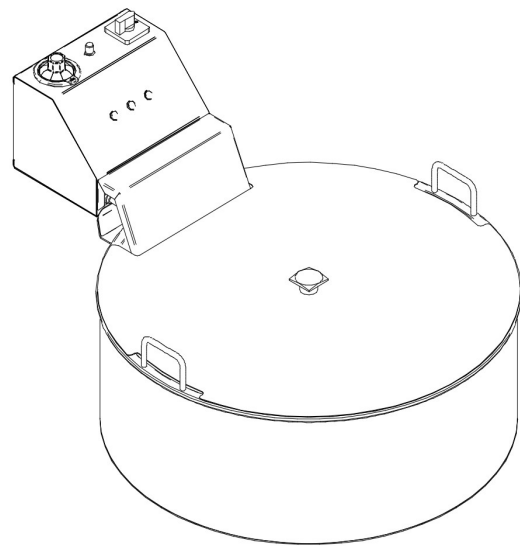
VISTA FRONTAL



VISTA LATERAL



VISTA PLANTA



VISTA ISOMÉTRICA

**APROXIMATE WEIGHT. 22 Kg.
ELECTRICAL CONNECTION: 240II**

The company reserves the right to make technical modifications without prior notice.

www.inhospaan.com

V1.0 - 2021/06/14